



Tumble dryer

T5420S

Features and benefits

- High productivity – 2 full loads per hour per pocket
- Low energy consumption for optimal efficiency and economy
- Selection of temperature and time for easy operation
- Customized user panels for specific user needs – available for Coin and OPL (On Premises Laundry)
- Large door opening for easy loading and unloading
- Easy access to vital parts from front and rear for simple servicing
- With Compass Pro program control
 - Large and clear display for easy program selection
 - Easy access with user-friendly interface
 - Language selection
 - Service program for adjustment of parameters
 - USB connection
- Serviceprogram for adjustment of parameters eg. temperature and cool-down time
- The coin version with Ecopower to avoid over drying of the garments and get a lower energy consumption

Main options

- Stainless steel front
- Stainless steel drum
- Reversing drum
- Connection to booking- /payment- system or coin meter



Images shown are a representation of the product only and variations may occur.

Main specifications**			T5420S
Rated capacity,	filling factor 1:20	kg/lb	20.4/45
	filling factor 1:22	kg/lb	18.8/41.8
Drum volume		litre	414
Drum diameter		mm	832
Heating			
gas		BTU/h (kW)	94 000 (27.5)
Consumption data*			Gas
Total time at 20.4 kg		min	24
Energy consumption at 20.4 kg		kWh	12
Evaporation		g/min	428
Energy kWh/litre water evaporated		kWh/l	1.17

* At rated capacity 100% cotton load at 50% initial moisture dried to 0%.

** Value per pocket.



Electrical connections*					
Heating alternative	Main voltage		Heating power kW	Total power kW	Recommended fuse A
		Hz			
Gas heated	220-240V 1 ~	50/60	-	1.4	10
	220-240V 3 ~	50/60	-	1.4	10
	380-480V 3 ~	50/60	-	1.4	10

Gas and air connections			T5420S
Gas		ISO 7/1-R	3/4"
Gas pressure	Natural gas	Pa	2000
		mbar	20
	Propane	Pa	2800-5000
		mbar	28-50
Air outlet		ø mm	250 / 200
Evacuated air, gas		m³/h	1020
Pressure drop, gas		Max. Pa	300

Sound levels	
Airborne sound level	dB(A) <70

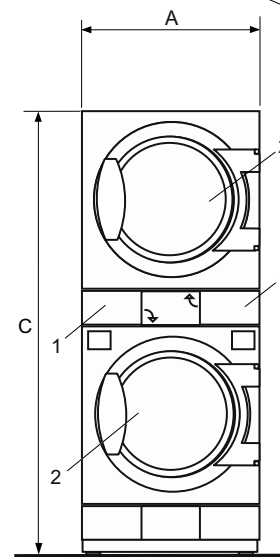
Heat emission	
% of installed power, max	15

Shipping data**	
net, kg	438
crated, m³	2.95

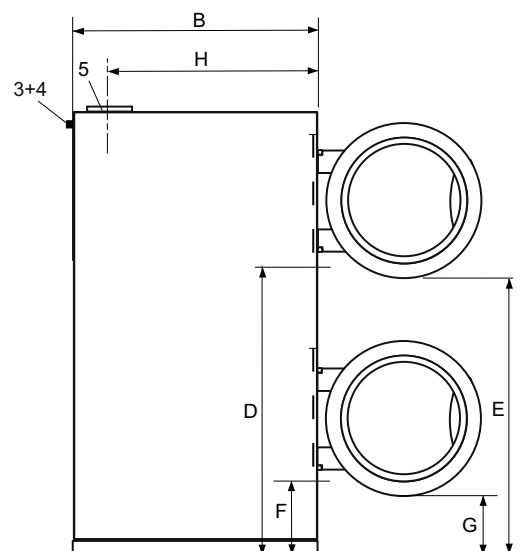
Dimensions in mm	
A Width	868
B Depth	1325
C Height	2144
D	1288
E	1222
F	262
G	186
H	1083
J	161
K	75
L	38
M	231
N1	90
N2	178
O	854
P	2175

- 1 Operating panel
- 2 Door opening ø 686 mm
- 3 Electrical connection
- 4 Gas connection
- 5 Exhaust connection

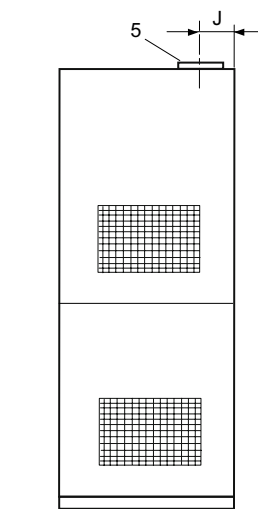
* Other voltages available, see installation manual
 ** Average data. Crated weight/shipping volume depends on configuration. Please contact logistics for exact measures.



Front



Left side



Rear side

