



Tumble dryer

T5250

Features and benefits

- High productivity – 2 full loads per hour
- Low energy consumption for optimal efficiency
- Large door opening for easy loading and unloading
- Large selfcleaning lint screen for easy maintenance
- Reversible door hanging for a convenient laundry flow
- Easy access to vital parts from front and rear for simple servicing
- With Compass Pro program control
 - Large display and one control knob for easy program selection
 - Language selection
 - Quick selection and option buttons for the most frequently used drying programs and options
 - Drying program packages optimized for Economy, Care and Time and option buttons for selection of dryness
 - Service program for adjustment of parameters
 - USB connection
- The coin version with Ecopower to avoid over drying of the garments and get a lower energy consumption

Main options

- Stainless steel front
- Stainless steel drum
- Residual Moisture Control – RMC
- Reversing drum
- Payment: coinmeter with Ecopower, chipcard reader, CP connection
- Special versions (dryer + option package): Lagoon® variant includes stainless steel front, stainless steel drum, RMC and reversing drum
- Fresh air intake
- Supply disconnecter
- CMIS (Certus Management Information System)



Images shown are a representation of the product only and variations may occur.

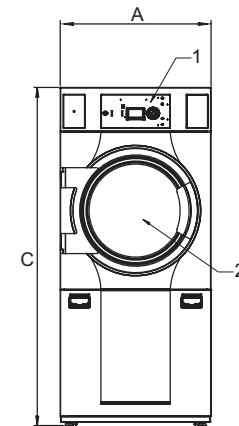
Main specifications			T5250				
Rated capacity, filling factor 1:18	kg/lb		13.9/30.7				
	filling factor 1:22	kg/lb	11.4/25.1				
Drum volume	litre		250				
Drum diameter	mm		760				
Heating,	electric	kW	6/9/13.5				
	gas	BTU/h (kW)	46000 (13.5)				
	steam at 800 kPa		25				
Consumption data*			6 kW**	9 kW	13.5 kW	Gas	Steam
Total time full load	min		36	36	27	27	18
Energy consumption full load	kWh		3.9	5.5	5.8	6.2	13
Evaporation	g/min		111	160	214	211	326
Energy kWh/litre water evaporated	kWh/l		0.98	0.95	1.02	1.09	2.23

* At rated capacity 100% cotton load at 50% initial moisture dried to 0%.
** Test load 8.2 kg/18lb

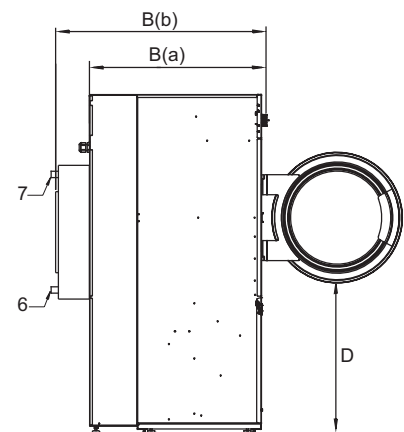


Electrical connections*					
Heating alternative	Main voltage		Heating power kW	Total power kW	Recommended fuse A
		Hz			
Electric heated	220-240V 1 ~	50/60	6.0	7.1	35
	220-240V 3 ~	50/60	9.0/13.5	10.1/14.6	35/50
	380-415V 3N ~	50/60	9.0/13.5	10.1/14.6	16/25
	440V 3 ~	60	9.0/13.5	10.1/14.6	16/25
	480V 3 ~	60	9.0/13.5	10.1/14.6	16/20
Gas heated/ Steam heated	220-240V 1 ~	50/60	-	1.1	10
	220-240V 3 ~	50/60	-	1.1	10
	380-415V 3N ~	50/60	-	1.1	10
	440V 3 ~	60	-	1.1	10
	480V 3 ~	60	-	1.1	10

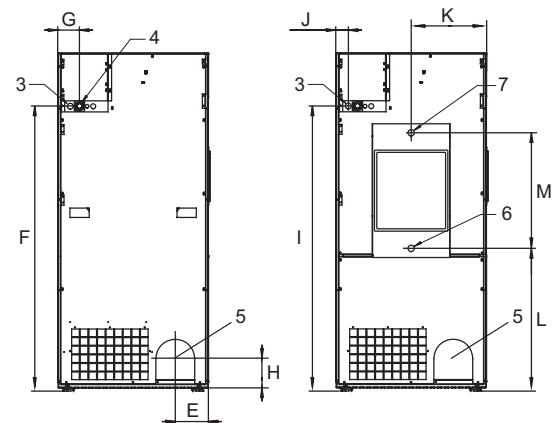
Steam, gas and air connections		T5250
Steam	ISO 7/1-R	1"
Steam pressure	kPa	100-1000
Steam consumption	kg/h	65
Condensate	ISO 7/1-R	1"
Gas	ISO 7/1-R	1/2"
Gas pressure	Natural gas	Pa 2000
	Propane	mbar 20
		Pa 2800-5000
		mbar 28-50
Air outlet		ø mm 200
Evacuated air,	el 6/9 kW	m³/h 360
	el 13.5 kW	600
	gas 13.5 kW	600
	steam	1000
Pressure drop	el 6/9 kW	Max. Pa 650
	el/gas 13.5 kW	520
	el 18 kW/gas 21 kW/steam	270
Sound levels		
Airborne sound level	dB(A)	<70
Heat emission		
% of installed power, max		15
Shipping data**		
Weight	net, kg	167
Shipping volume	crated, m³	1.62
Dimensions in mm		
A	Width	790
B(a)	Depth, el and gas	958
B(b)	Depth, steam	1100
C	Height	1770
D		790
E		155
F		1505
G		100
H		170
I		1505
J		80
K		395
L		755
M		585
1	Operating panel	
2	Door opening ø 580 mm	
3	Electrical connection	
4	Gas connection	
5	Exhaust connection	
6	Steam: in	
7	Steam: out	



Front



Side view



Rear

* Other voltages available, see installation manual.

** Average data. Crated weight/shipping volume depends on configuration. Please contact logistics for exact measures.